



walvoil
MOTION BY PEOPLE

NEW

EK10L

ON/OFF directional solenoid valve
5 ways / 3 positions



EK10L VALVE

- External zinc-plated and corrosion-proof components
- Hardened precision spool and cage to ensure minimal wear, minimum leakage and long life
- Flow path optimized through CFD analysis
- Industry common cavities
- Heavy duty polyurethane seals
- Several types of coil connectors and voltages
- Manual override options
- All ports may be fully pressurized



EK10L ON/OFF DIRECTIONAL SOLENOID VALVE

5 WAYS / 3 POSITIONS



DESCRIPTION:

Walvoil launches the new EK10L cartridge valve, direct acting solenoid operated, 5-way, 3-position, spool-type, with integrated Load Sensing port.

The EK10L valve has been designed to reduce the overall dimensions of the valve in order to obtain more compact HICs (Hydraulic Integrated Circuits), and also to increase the performance in terms of pressure, flow-rate and pressure drops.

OPERATION:

The EK10L valve is available with different spools and manual override options, which increase the versatility of the product and ensure high flow capacity with reduced space requirements.

Optimized through CFD analysis, the reduction of the pressure drops on the main path ensures excellent switching performances maintaining the same type of coil mounted on the existing ET10L and ER10L valves.

This spool-type valve is available in SAE 10 size and is used for mobile and industrial applications, for the control of travel direction of actuators such as hydraulic motors and cylinders.

EK10L valve is assembled with the Walvoil crimping solution, that ensures, at the same time, more robustness while mounting them on HICs and a reduction of leakage due to spool clearance.

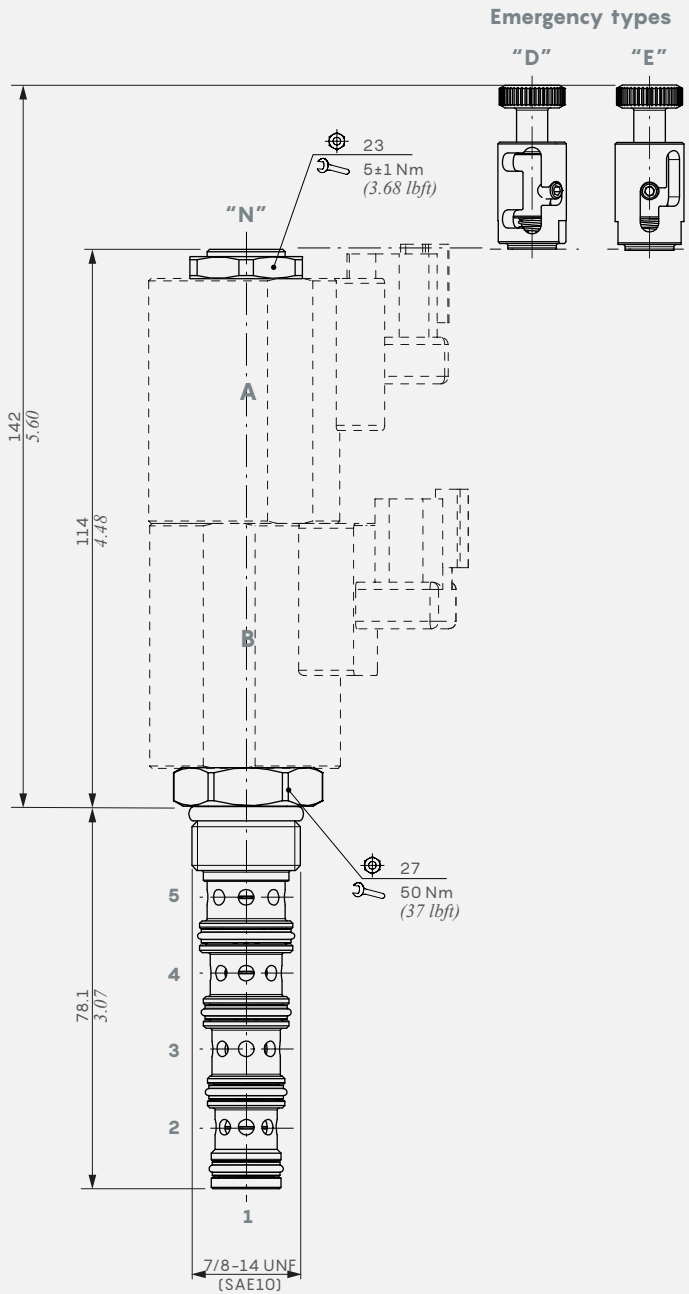
WORKING CONDITIONS

Technical specifications and diagrams measured with mineral oil of 46 mm²/s (46 cSt) viscosity at 40°C - (104°F) temperature.

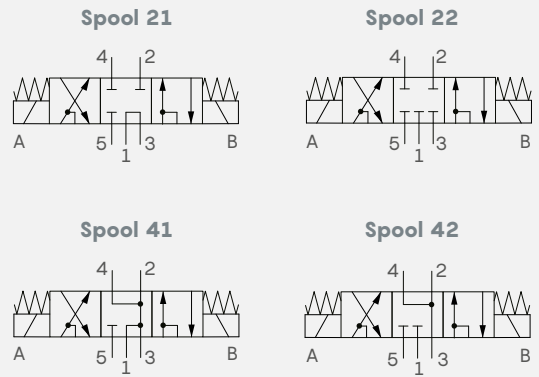
Nominal flow		20 l/min 5.3 US gpm
Max pressure		250 bar 3600 psi
Oil leakage	At 210 bar 3050 psi	80 cm ³ /min 4.88 in ³ /min
Fluid		hydraulic mineral oil-based
Viscosity		10-200 cSt
Max level of contamination		18/16/13 ISO4406
Fluid temperature	Polyurethane + NBR seals	from -20 to +80 °C from -4 to +176 °F
	FPM seals	from -20 to +100 °C from -4 to +212 °F
Environmental temp. for working conditions		from -20 to +60 °C from -4 to +140 °F
Cavity		SAE 10/5
Coils type		(BC)
Power rating		26 W (12/24 VDC)
Connector types		ISO4400 - Deutsch DT AMP-JPT - Flying leads

Note: For different conditions, please contact Sales Department.

DIMENSIONAL DATA AND HYDRAULIC CIRCUITS

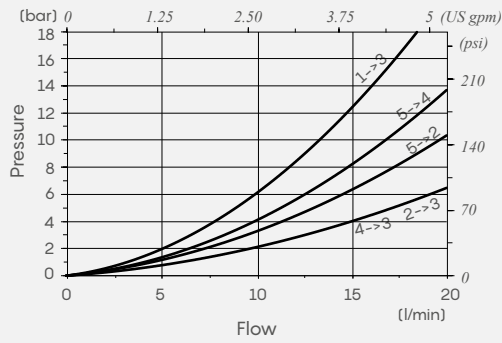


Emergency types	
N	EK10L/NB Without emergency
D	EK10L/DB Push/pull type with detent
E	EK10L/EB Push/pull type without detent

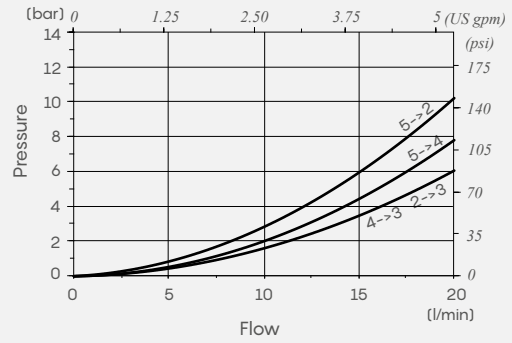


PERFORMANCE DATA

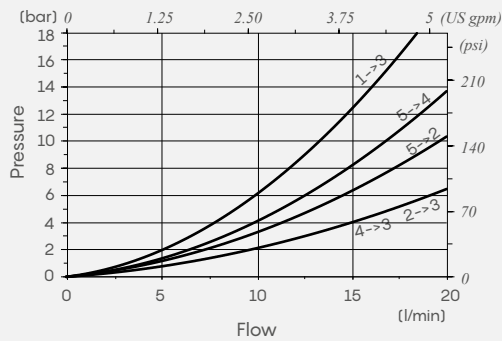
Pressure drop vs. flow
(spool type 21)



Pressure drop vs. flow
(spool type 22)



Pressure drop vs. flow
(spool type 41)



Pressure drop vs. flow
(spool type 42)

