



EW... type directional solenoid valves - 2 way / 2 positions

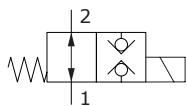
- Direct acting
- Poppet type
- Normally open and closed configurations
- With check in both directions
- From SAE08 to SAE12 cavities

Technical specifications and diagrams are measured with mineral oil of 46 cSt viscosity at 40°C (104°F) temperature.

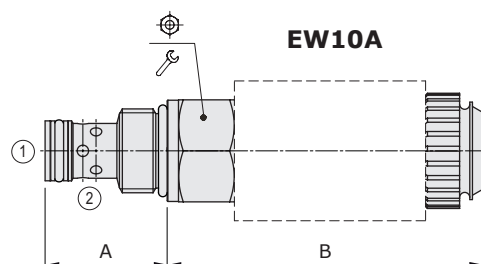
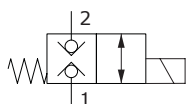
	EW08A	EW10A-EW10B	EW12B-EW12C
Nominal flow	10 l/min (2.64 US gpm)	25-30 l/min (6.6 - 7.9 US gpm)	50 l/min (13.2 US gpm)
Max. pressure	210 bar (3050 psi)		
Oil leakage	at 210 bar (3050 psi) 0.25 cm ³ /min (0.015 in ³ /min)	0.25 cm ³ /min (0.015 in ³ /min)	0.25 cm ³ /min (0.015 in ³ /min)
Fluid	mineral based oil		
Viscosity	10-200 cSt		
Max level of contamin.	18/16/13 ISO4406		
Fluid temperature	with NBR seals with FPM seals	from -20°C (-4°F) to 80°C (176°F) from -20°C (-4°F) to 100°C (212°F)	
Environmental temp. for working conditions	from -20°C (-4°F) to 50°C (122°F)		
Cavity	SAE 08/2	SAE 10/2	SAE 12/2
Coil type*	BT	BIN 19	BIN 22
Nominal voltages	12 VDC - 24 VDC ± 10%		
Power rating	21 W	29 W (12 VDC) - 31 W (24 VDC)	32.6 W (12 VDC) - 31 W (24 VDC)
Weight	0.16 kg (0.35 lb)	0.25 kg (0.55 lb)	0.44 kg (0.97 lb)

NOTE - For different conditions, please contact Walvoil Sales Dpt. - *For coils further features see from page 206.

Normally open configuration



Normally closed configuration

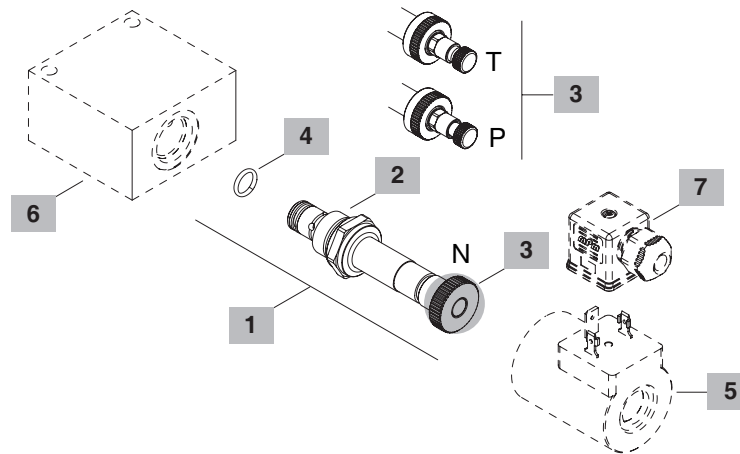
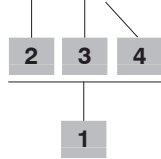


Valve type	A		B		Nm	lbft
	mm	in	mm	in		
EW08A/10NB	28.5	1.12	65.7	2.59	24	30
EW08A/20NB	28.5	1.12	70.9	2.79	24	30
EW10A/20PB	32.3	1.27	83.3	3.28	27	50
EW10B/10NB	32.3	1.27	99.8	3.93	27	50
EW12C/20PB	46	1.81	98.7	3.89	32	80
EW12B/10NB	46	1.81	102.8	4.05	32	80

For dimensions with different type of emergency see page 213

Ordering codes and description composition

EW08A/10 NB



1 Cartridges

TYPE	CODE	DESCRIPTION
SAE cavity 08/2		
EW08A/10NB	0EW08002001	Normally open configuration (N.O.) without emergency
EW08A/10TB	0EW08002003	Normally open configuration (N.O.) with screw type emergency
EW08A/20NB	0EW08002006	Normally closed configuration (N.C.) Without emergency
EW08A/20PB	0EW08002004	Normally closed configuration (N.C.) with push button emergency
EW08A/20TB	0EW08002002	Normally open configuration (N.C.) with screw type emergency
SAE cavity 10/2		
EW10B/10NB	0EW10002004	Normally open configuration (N.O.) without emergency
EW10A/20PB	0EW10002002	Normally closed configuration (N.C.) with push button emergency
SAE cavity 12/2		
EW12B/10NB	0EW12002005	Normally open configuration (N.O.) without emergency
EW12C/20PB	0EW12002003	Normally closed configuration (N.C.) with push button emergency

2 Spool

TYPE	DESCRIPTION
1	Normally open configuration
2	Normally closed configuration

3 Emergency

TYPE	DESCRIPTION
N	Without emergency
T	Screw type
P	Push button type (N.C.)

Note: emergency type depends on cavity type. See chapter 4 for availability.

4 Seals

TYPE	DESCRIPTION
B	NBR (Buna) o-ring seals, std configuration
V	FPM (Viton) o-ring seals, contact Sales Dept.

5 Coils

TYPE	CODE	DESCRIPTION
BT 12VDC	4SL3000120	12VDC-ISO4400 coil for EW08A
BIN 19 VDC	4SL6000121	12VDC-ISO4400 coil for EW10A-EW10B
BIN 22 VDC	4SL6000128	12VDC-ISO4400 coil for EW12A-EW12C

For complete coils list see from page 206

6 Valve body

TYPE	CODE	DESCRIPTION
SAE 08/2-SAE8	3CC0820K11	Aluminium body for cavity 08 valve, SAE8 std thread
SAE 10/2-SAE8	3CC1020K11	Aluminium body for cavity 10 valve, SAE8 std thread
SAE 12/2-SAE10	3CC1220L11	Aluminium body for cavity 12 valve, SAE10 std thread

For steel bodies or different threading see from page 215

7 Connector

TYPE	CODE	DESCRIPTION
ISO4400	4CN1009995	Connector

For complete connectors list see from page 206