



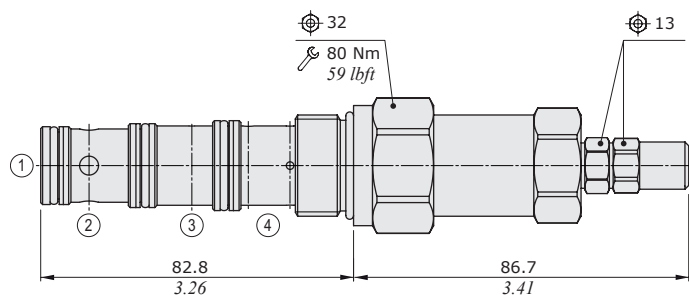
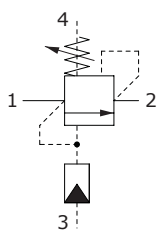
SG12A type sequence valve - 4 way

- Direct acting
- Poppet type
- External pilot and drain

Technical specifications and diagrams are measured with mineral oil of 46 cSt viscosity at 40°C (104°F) temperature.

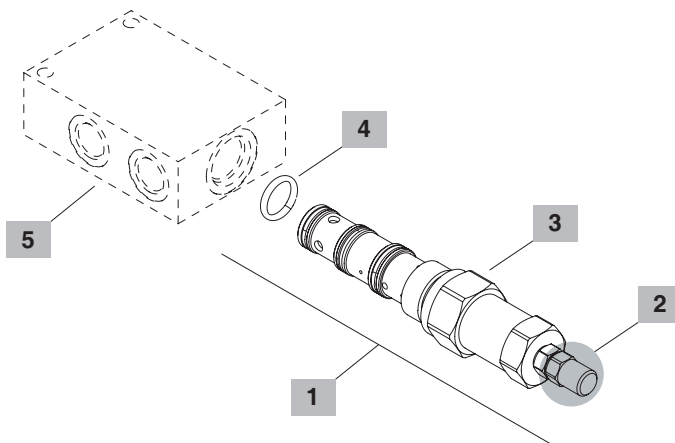
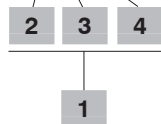
SG12A		
Nominal flow		50 l/min (13 US gpm)
Max. pressure		300 bar (4350 psi)
Oil leakage		-
Fluid		mineral based oil
Viscosity		10-200 cSt
Max level of contamination		20/18/14 ISO4406
Fluid temperature	with NBR seals	from -20°C (-4°F) to 80°C (176°F)
	with FPM seals	from -20°C (-4°F) to 100°C (212°F)
Environmental temp. for working conditions		from -20°C (-4°F) to 50°C (122°F)
Cavity		SAE 12/4
Weight		0.52 kg (1.15 lb)

NOTE - For different conditions, please contact Walvoil Sales Dpt.



Ordering codes and description composition

SG12A/1S1B



1 Cartridges

TYPE	CODE	DESCRIPTION
SAE cavity 12/4		
SG12A/1S1B	0SG12002000	Cartridge pres. sett. 1
SG12A/1S2B	0SG12002002	Cartridge pres. sett. 2
SG12A/1S3B	0SG12002001	Cartridge pres. sett. 3

2 Adjustments

TYPE	DESCRIPTION
S	Screw

3 Pressure settings

Standard setting is referred to at 1 l/min (0.26 US gpm) flow

TYPE	DESCRIPTION
1	Range 20÷100 bar (290÷1450 psi); Std. setting 50 bar (725 psi)
2	Range 50÷200 bar (725÷2900 psi); Std. setting 150 bar (2200 psi)
3	Range 100÷300 bar (1450÷4350 psi); Std. setting 250 bar (3600 psi)

4 Seals

TYPE	DESCRIPTION
B	NBR (Buna) o-ring seals, std configuration
V	FPM (Viton) o-ring seals, contact Sales Dept.

5 Valve body

TYPE	CODE	DESCRIPTION
SAE 12/4-SAE10	3CC1240L11	Aluminium body for cavity 12 valve, SAE10 std thread

Note: aluminium body can stand up to 210 bar (3050 psi)
For steel bodies or different threading see from page 219

Rating diagrams

SG12A pressure drop vs. flow 1->2

