

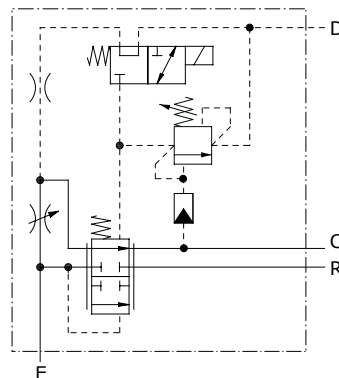
Type VPR/3/EP/VMP+VE/LPD flow control pressure compensated valves

- 3 ways
- Exceeding flow to pressure
- Electric venting
- With pressure relief valve
- Low pressure drop
- Steel body

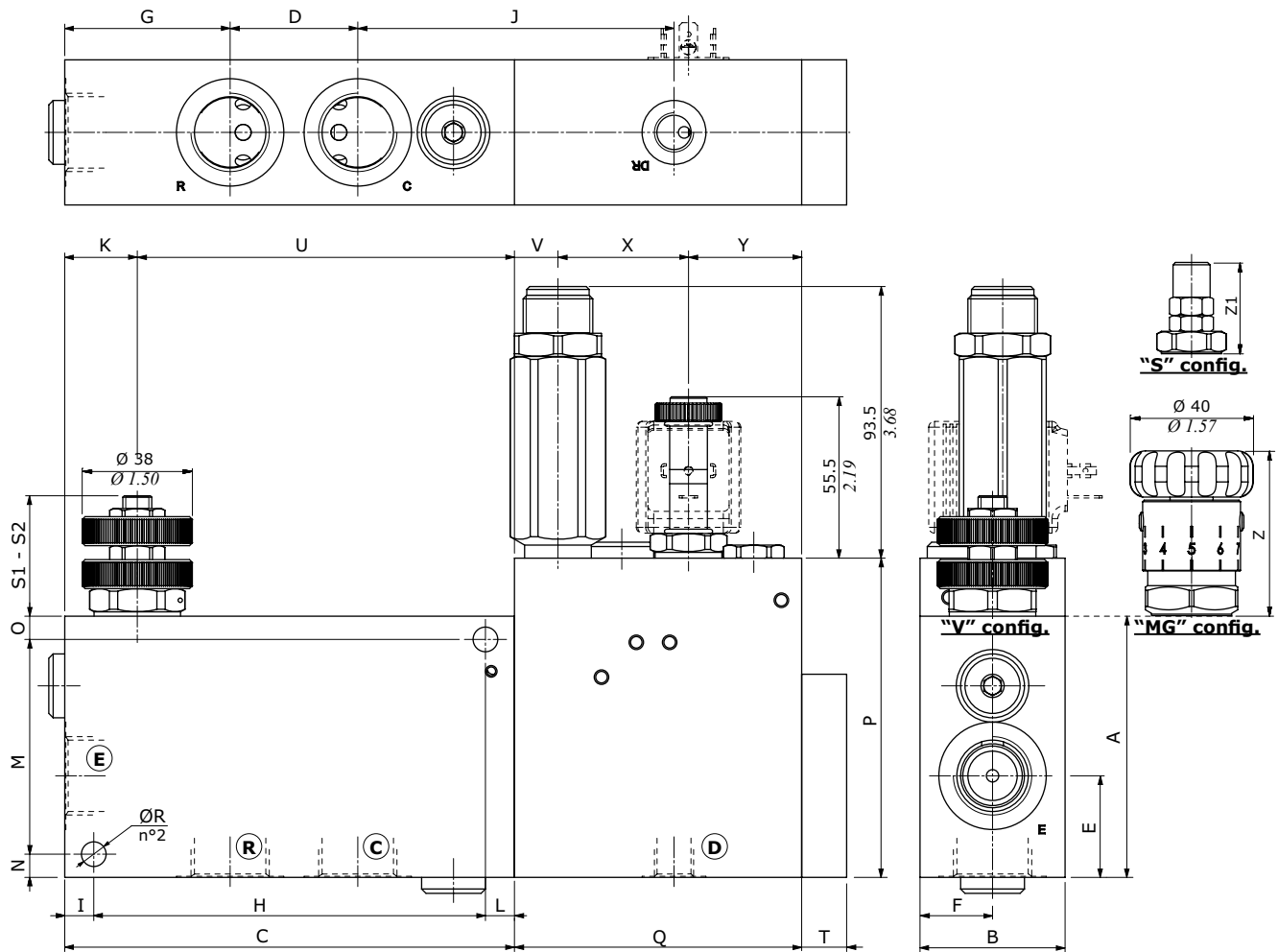
Technical specifications and diagrams are measured with mineral oil of 46 cSt viscosity at 40°C (104°F) temperature.

| | | VPR/3/EP 34/VMP+VE/LPD | VPR/3/EP 100/VMP+VE/LPD | VPR/3/EP 114/VMP+VE/LPD |
|--|--------|--|-------------------------|-------------------------|
| Max. inlet flow | Line E | 150 l/min (39.6 US gpm) | 240 l/min (63.4 US gpm) | 450 l/min (119 US gpm) |
| Max. regulated flow | Line C | 90 l/min (24 US gpm) | 150 l/min (39.6 US gpm) | 250 l/min (66 US gpm) |
| Max. pressure | | 350 bar (5100 psi) | | |
| Fluid | | mineral based oil | | |
| Viscosity | | from 10 to 200 cSt | | |
| Max. level of contamination | | 18/16/13 ISO4406 | | |
| Fluid temperature | | with NBR seals from -20°C (-4°F) to 80°C (176°F) | | |
| Environmental temperature for working conditions | | from -40°C (-40°F) to 100°C (212°F) | | |
| Weight | steel | 9.15 kg (20.17 lb) | 19 kg (41.89 lb) | 28 kg (61.73 lb) |

NOTE - For different conditions, please contact Walvoil Sales Dpt.



Dimensions



| Valve type | (E) | (R) | (C) | (D) |
|-------------------------|--------|--------|--------|------|
| VPR/3/EP 34/VMP+VE/LPD | G3/4 | G3/4 | G3/4 | G1/4 |
| VPR/3/EP 100/VMP+VE/LPD | G1" | G1" | G1" | G1/4 |
| VPR/3/EP 114/VMP+VE/LPD | G1"1/4 | G1"1/4 | G1"1/4 | G1/4 |

Dimensions are in mm-in

| Valve type | A | B | C | D | E | F | G | H | I | L | K | J | M | N |
|-------------------------|-------------|------------|-------------|------------|--------------|--------------|------------|-------------|--------------|--------------|------------|---------------|-------------|---------------|
| VPR/3/EP 34/VMP+VE/LPD | 90 3.54 | 50 1.97 | 155 6.10 | 44 1.73 | 35 1.38 | 25 0.98 | 57 2.24 | 135 5.31 | 10 0.394 | 10 0.394 | 25 0.98 | 109 4.29 | 74 2.91 | 8 0.315 |
| VPR/3/EP 100/VMP+VE/LPD | 130 5.12 | 65 2.56 | 155 6.10 | 57 2.24 | 67.5 2.66 | 32.5 1.28 | 50 1.97 | 130 5.12 | 12.5 0.49 | 12.5 0.49 | 32 1.26 | 121.5 4.78 | 109 4.29 | 10.5 0.413 |
| VPR/3/EP 114/VMP+VE/LPD | 160 6.30 | 75 2.95 | 184 7.24 | 70 2.76 | 83 3.27 | 37.5 1.48 | 60 2.36 | 159 6.26 | 12.5 0.49 | 12.5 0.49 | 35 1.38 | 147.5 5.81 | 135 5.31 | 12.5 0.49 |

| Valve type | O | P | Q | ØR | S1 | S2 | T | U | V | X | Y | Z | Z1 |
|-------------------------|---------------|---------------|-------------|--------------|----|----|--------------|-------------|------------|--------------|--------------|--------------|--------------|
| VPR/3/EP 34/VMP+VE/LPD | 8 0.315 | 110 4.33 | 99 3.90 | 8.5 0.335 | - | - | 15.5 0.61 | 130 5.12 | 15 0.59 | 54 2.13 | 39 1.54 | 56.5 2.22 | 38.5 1.52 |
| VPR/3/EP 100/VMP+VE/LPD | 10.5 0.413 | 147.5 5.81 | 113 4.45 | 12.5 0.49 | - | - | 17.5 0.69 | 123 4.84 | 38 1.50 | 35.5 1.40 | 39.5 1.56 | 56.5 2.22 | 38.5 1.52 |
| VPR/3/EP 114/VMP+VE/LPD | 12.5 0.49 | 160 6.30 | 144 5.67 | 12.5 0.49 | - | - | 17.5 0.69 | 149 5.87 | 49 1.93 | 41 1.61 | 54 2.13 | 56.5 2.22 | 41.5 1.63 |

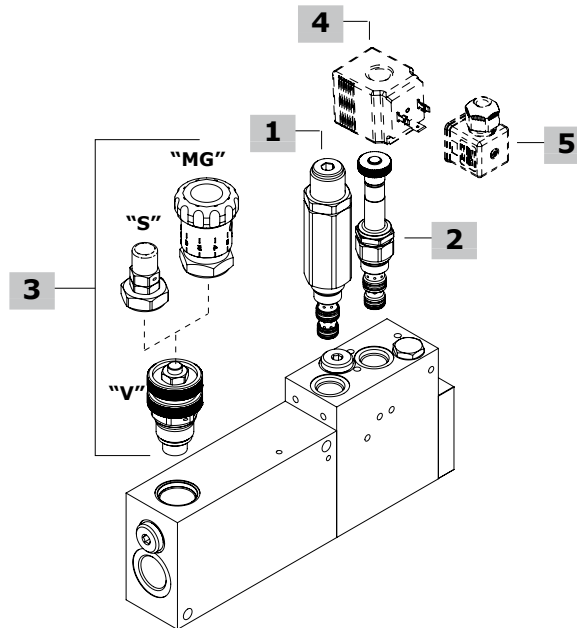
Flow control valves

Flow control pressure compensated valves

VPR/3/EP/VMP+VE/LPD

Ordering codes and description composition

Port size
VPR/3/EP 34/VMP+VE.NA/LPD/V/VDS.TS/ac
1 2 3 1 1



VPR/3/EP/VMP+VE/LPD complete valves

Standard setting 160 bar at 5 l/min (2320 psi at 1.32 US gpm)

Adjustment kit type "V" (handwheel)

TYPE: **VPR/3/EP 34/VMP+VE.NA/LPD/V/VDS.TS/ac**

CODE: 1635042103

DESCRIPTION: steel body, G3/4 ports, setting range 150-300 bar (2175-4350 psi)

TYPE: **VPR/3/EP 100/VMP+VE.NA/LPD/V/VDS.TS/ac**

CODE: 1635052103

DESCRIPTION: steel body, G1" ports, setting range 150-300 bar (2175-4350 psi)

TYPE: **VPR/3/EP 114/VMP+VE.NA/LPD/V/VDS.TS/ac**

CODE: 1635062102

DESCRIPTION: steel body, G1"1/4 ports, setting range 150-300 bar (2175-4350 psi)

For other steel body configurations, SAE thread and configurations with FPM (Viton) seals please contact our Sales Dpt.

1 Pressure relief valve

TYPE: **VDS/3/2 x VPR/3/EP....LPD/TS** CODE: 1208010400

DESCRIPTION: direct type valve, setting range 150-300 bar (2175-4350 psi), standard setting 160 bar at 5 l/min (2320 psi at 1.32 US gpm)

2 Solenoid valve

| TYPE | CODE | DESCRIPTION |
|-------------------|-------------|----------------------------------|
| MC08A/0S2B | 0EJ08002051 | Normally open (NA) configuration |

3 Adjustment kit

| TYPE | CODE | DESCRIPTION |
|--|------------|--------------------|
| For VPR/3/EP 34-100+VMP+VE valves | | |
| V | 5KT6130401 | "V" handwheel type |
| MG | 5KT6200400 | "MG" handknob type |
| S | 5KT6130404 | "S" screw type |
| For VPR/3/EP 114+VMP+VE valve | | |
| V | 5KT6340603 | "V" handwheel type |
| MG | 5KT6200605 | "MG" handknob type |
| S | 5KT6200604 | "S" screw type |

4 Coils

| TYPE | CODE | DESCRIPTION |
|------------------|-------------|--------------------|
| BER 12VDC | 4SLE001200A | 12VDC-ISO4400 coil |

For complete coils list see from page 433

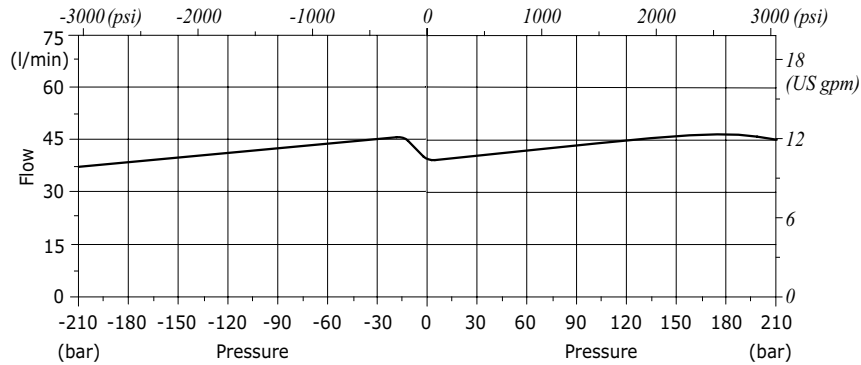
5 Connector

| TYPE | CODE | DESCRIPTION |
|----------------|------------|-------------|
| ISO4400 | 4CN1009995 | Connector |

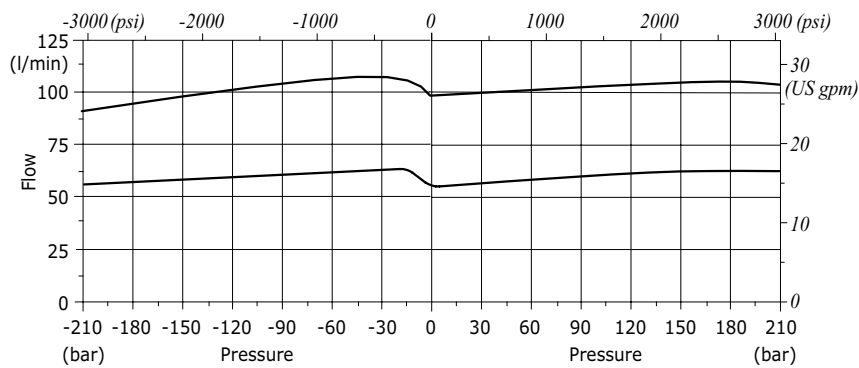
For complete connectors list see from page 433

Rating diagrams

**VPR/3/EP 34/VMP+VE/LPD compensation diagram
in C changing the Δp between E and R**



**VPR/3/EP 100/VMP+VE/LPD compensation diagram
in C changing the Δp between E and R**



**VPR/3/EP 114/VMP+VE/LPD compensation diagram
in C changing the Δp between E and R**

